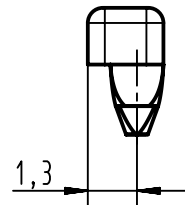
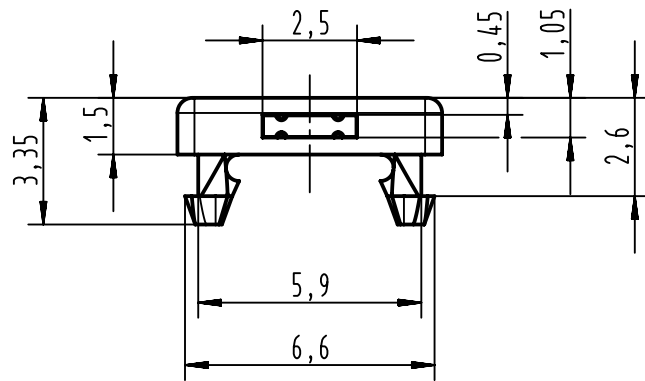


RFID Chip
possible option



09458500011	colour-clip black
09458500010	colour-clip brown RAL 8004
09458500009	colour-clip green
09458500008	colour-clip blue
09458500007	colour-clip red
09458500006	colour-clip orange
09458500005	colour-clip magenta RAL 4003
09458500004	colour-clip pink RAL 3015
09458500003	colour-clip yellow
09458500002	colour-clip grey
09458500001	colour-clip white RAL 1013
part-no.	description

	All Dimensions in mm Original Size DIN A4	Scale	Free size tol.			Ref.
		5:1				Sub. TB 09 45 850 00xx 09.12.11 Mod. 36463
	All rights reserved Department EC PD - DE	Created by	Inspected by	Standardisation	Date	State
		HASSE	LINDKAMP	HOFFMANN	2013-01-07	Final Release
HARTING Electronics GmbH D-32339 Espelkamp		Title				Doc-Key / ECM-Nr. 100181900/UGD/001/A 500000057802
		Colour-Clip for RJ Industrial				
		Type	Number		Rev.	Page
		TB	094585000XX		A	1/1