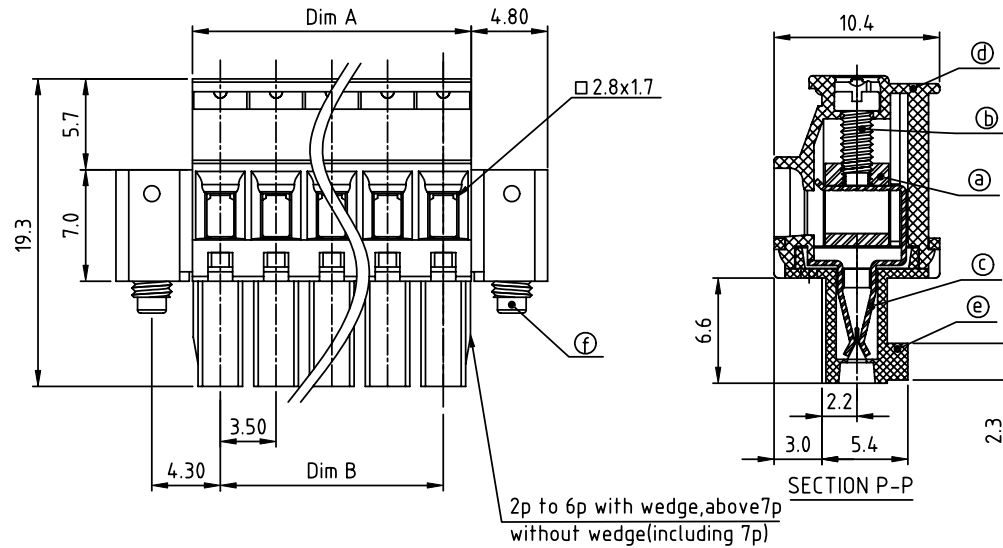
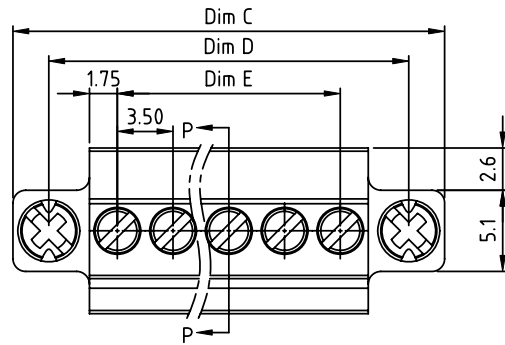


PRODUCT NUMBER	PITCH
TSxx11xD00J0G	3.50 mm



Material

- ItemⒶ Clamp: Brass(CuZn),Ni plated
- ItemⒷ Terminal screw: Steel Zinc plating "-" slot type
- ItemⒸ Female contact: PhBz,Tin plated
- ItemⒹ Top body: Thermoplastic (UL94V-0)
- ItemⒺ Bottom body: Thermoplastic (UL94V-0)
- ItemⒻ With flange screw: Steel M2.5 Zinc plating "+/-" combination type

Electrical cULus VDE

- Voltage rating: 300VAC / 300VAC
- Current rating: 8A / 10A
- Wire range: 1.5mm²
- Solid wire(AWG): 16-28
- Stranded wire(AWG): 16-28
- Torque: 1.7Lb-In / 0.2N.m
- Screw: M2
- Wire strip length: 6-7mm
- Withstanding Voltage: 1.6KV / 2.5KV
- Operating temperature: -40°C to +115°C
- Safety approval:

PART NO.: TS xx 11 x D 00J0 G

DIMENSION

Dim A	NX3.5
Dim B	(N-1)X3.5
Dim C	NX3.5+9.6
Dim D	(N-1)X3.5+8.6
Dim E	(N-1)X3.5

N=Number of poles

Poles	Tolerance
2p-6p	±0.15
7p-12p	±0.20
13p-16p	±0.25
17p-24p	±0.30

Solid block	No. of poles	Color	RoHS compliant (lead<4%) In copper Alloy
0	2	Black (RAL9005)	
02	2 poles	Red (RAL3001/D)	
03	3 poles	Orange(RAL2011/P)	
4	...	Yellow(RAL1018/A)	
5	...	Green(RAL6018/T)	
6	24 poles	Blue (RAL5015/A)	
8	...	Grey(RAL7035/D)	
9	...	White(RAL1102)	
C	...	Green(RAL6018/U)	

mat'l. code		surface ASME Y14.5	tolerance ASME Y14.5	projection	product family
ltr	ecn no	dr	date		TERMINAL BLOCK
				tolerances unless otherwise specified	title
				angles	TERMINAL BLOCK
				MM	PLUGGABLE PLUG,HOOK ON BACK SIDE,WITH FLANGE
				scale	dwg no
				dr	sheet 1 of 1
				enr	size
				chr	TSxx11xD00J0G
				appd	A4
				FCI logo	type
					CUSTOMER Drawing
sheet index	revision	A			
	sheet	1			